

# VORTEX-GENIE® 1 TOUCH MIXER

## OPERATING INSTRUCTIONS

Models SI-0136 through SI-0196



80 Orville Drive, Suite 102, Bohemia, NY 11716 U.S.A.  
(631) 567-4700 • Fax: (631) 567-5896 • Toll Free: 888-850-6208  
Customer Service: [custsvc@scientificindustries.com](mailto:custsvc@scientificindustries.com)  
[www.scientificindustries.com](http://www.scientificindustries.com)

The Vortex-Genie® 1 Mixer is a powerful touch mixer that will easily obtain miscibility with the most difficult mixing situations. With proper care, the Vortex-Genie 1 will provide years of very reliable service and satisfaction. The Vortex-Genie 1 comes equipped with the standard Pop-off Cup attached. The Vortex-Genie 1 will also accept the 3-inch Platform.

## APPLICATIONS

The standard Pop-off Cup will accommodate tubes of virtually any size or shape from micro-tubes to sizes that are 40mm in diameter and 200mm in length.



The 3-inch Platform accepts single or multiple test tubes, flasks, beakers, and other containers. The removable cover, made of thermoplastic rubber is highly impervious to chemical attack. It is recommended that spills are blotted quickly. Do not attempt to use the 3-inch Platform without its cover.



### **Catalog numbers:**

OK-0500-902 3-inch Platform with Rubber Cover.

OK-0500-901 3-inch Platform without Rubber cover.

580-2013-00 Rubber cover for 3-inch Platform.

## OPERATING INSTRUCTIONS

We recommend that you retain your original packaging for 90 days in case you need to return the product for any reason to your distributor or Scientific Industries.

1. Place the Vortex-Genie® 1 on a sturdy, level work surface.
2. Connect the power cord to a properly grounded three-pronged receptacle. 120V for the SI-0136 model; 230V for the SI-0146 model; 100V for the SI-0186 model.
3. The Vortex-Genie 1 is now ready for touch mixing. Simply touch a tube to the mixing cup, apply slight pressure, and the micro-switch will start the motor, thereby providing very vigorous mixing that will result in a vortex occurrence of the contents of the tube.
4. The 3-inch Platform is an accessory that may be ordered separately and used on the Vortex-Genie 1. The standard Pop-off Cup may be removed and replaced with the 3-inch Platform. **First unplug the Vortex-Genie 1 from its electrical power source.** Pop off the standard cup by inserting your fingers under the attachment flange and lift the Pop-off Cup with a prying motion. Align the flat surface of the Vortex-Genie 1 mixing shaft with the flat surface of the shaft receptacle on the under side of the 3-inch Platform. Press downward until the attachment snaps into place.
5. Reconnect the Vortex-Genie 1 to the properly grounded power source. The Vortex-Genie 1 is now ready for touch mixing using the 3-inch Platform.

 **CAUTION! Do not lift your Vortex-Genie 1 by its attachment.**

Both the Pop-off Cup and the 3-inch Platform are removable. They will pop off easily if you lift them, and snap back on again just as easily by aligning the flats and pressing down.

 **CAUTION! If this equipment is used in a manner not specified by the manufacturer, the protection provided by the equipment may be impaired.**

### Care and Handling

Your VORTEX-GENIE 1 Touch Mixer should be given the care normally required for any electrical appliance. Avoid wetting or unnecessary exposure to fumes. The finish can be washed with water (after unplugging) and soap or detergents, using a cloth or sponge. Keep the unit clean by immediately blotting any spills. Replacement parts are available through most laboratory equipment distributors or directly from Scientific Industries. Refer to "Parts Assembly List" and enclosed multi-fold brochure.

 **CAUTION! Unplug from power before cleaning. Do not immerse. Do not position the equipment so that it is difficult to disconnect the power cord.**

## SPECIFICATIONS

The Vortex-Genie® 1 Touch Mixer is classified as "Installation Category 2", "Overvoltage Category 2" and "Pollution Degree 2".

Environmental: 0°C - 38°C (32°F-100°F), 95% Humidity max. Indoor use only in elevation up to 2000m of altitude.

MODEL	POWER REQUIRED	HZ	AMPS
SI-0136	120V	60	0.65
SI-0146	230V	50	0.5
SI-0186	100V	50	1.0



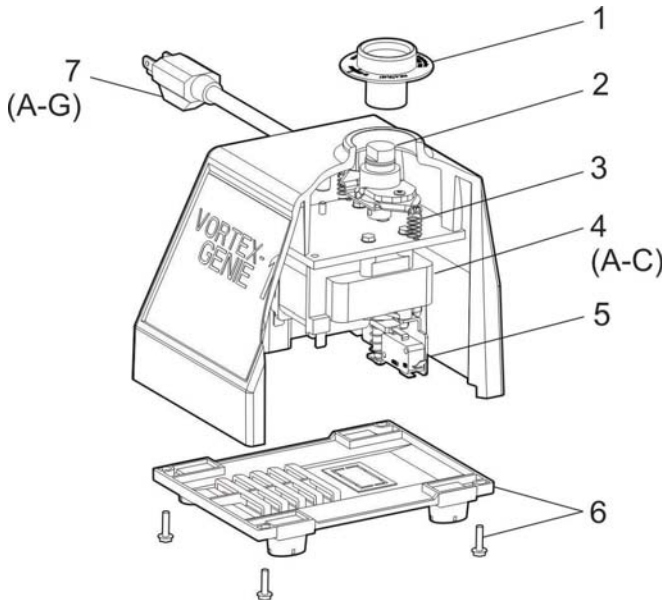
ETL Listed  
Conforms to UL Std. 3101-1  
Certified to CAN/CSA C22.2



## PARTS ASSEMBLY LIST

To order parts for the VORTEX-GENIE 1 Mixer:

Contact your local distributor or visit [www.scientificindustries.com](http://www.scientificindustries.com). Please specify Part No., quantity and electric voltage.



Indicator No.	Part No.	Description
1	146-3011-00	Pop-off Cup
2	0K-0236-902	Bearing Retainer Kit
3	SPP0003	Spring, Extension, Eccentric
4A	0K-0136-021	Motor 120V Assembly
4B	0K-0146-021	Motor 230V Assembly
4C	0K-0186-021	Motor 100V Assembly
5	ESP0005	Micro Switch
6	0K-0236-408	Bottom Closure with Feet Kit
7A	318-0510-02	120V Line Cord
7B	0K-0246-901	230V Line Cord, No Plug
7C	0K-0256-901	230V Line Cord, European Plug
7D	0K-0266-901	230V Line Cord, British Plug
7E	0K-0276-901	230V Line Cord, Swiss Plug
7F	0K-0286-901	100V Line Cord
7G	ECP0021	Australian Plug (only)